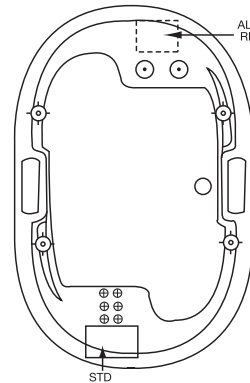
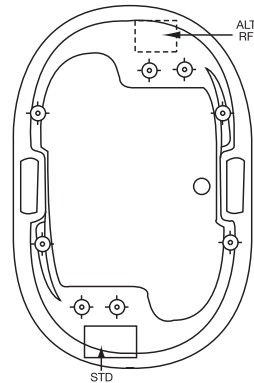
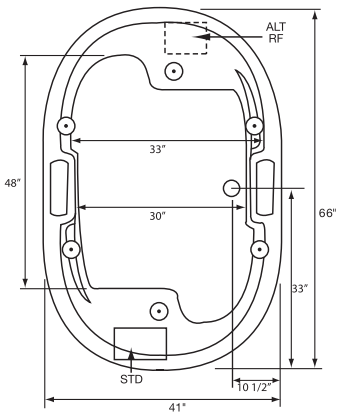


Reward 5.5

66" x 42" x 25"

Bronze Series \$2650 #RB6642	Silver Series \$2995 #RS6642	Gold Series \$3450 #RG6642	Soaking Tub \$2050 #RTO6642
--	--	--------------------------------------	---------------------------------------



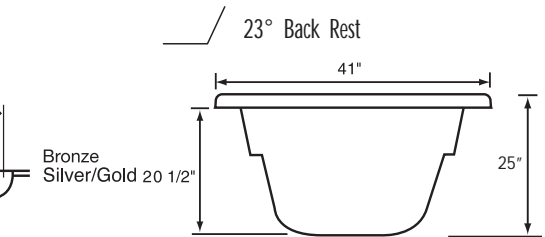
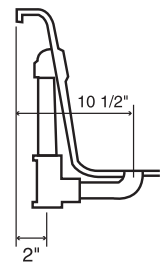
Equipment Legend

- Accu-Massage
- Micro Flow or Opt. Micromassage
- Ultra Flow or Optional Ultra Massage
- Sole Soother
- Neck Masseur Pillow
- Pump Alt. Pump
- Pump Access (18"x18" required)
*Some pump locations & plumbing may extend beyond perimeter of bath

Electrical Specifications

	Bronze	Silver	Gold
Pump Requirement			
115V 15AMP w/GFCI	1	1	
115V 20AMP w/GFCI			1
Inline Heater Requirement			
115V 15AMP w/GFCI	optional	optional	1
Gallons to Overflow	72 gal/236L		
Gallons to Operate	40 gal/121L		

NOTE: Specifications are $\pm 1/4"$, features and prices are subject to change without notice
All final measurements should be taken from tub on site



Rough In Plumbing Measurements

Features

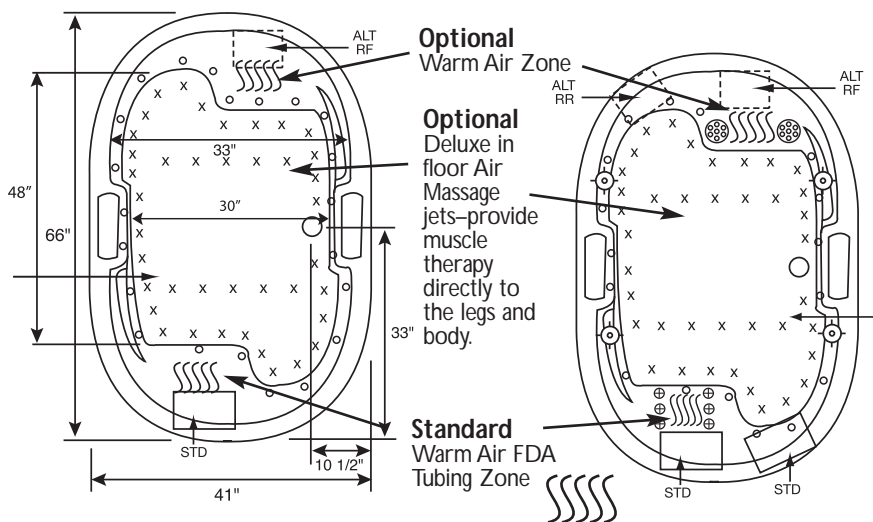
	Bronze Series	Silver Series	Gold Series		Bronze Series	Silver Series	Gold Series
JETS				Aromatherapy Fragrance System			
Total number of jets	6	8	12	Fragrance Refills	\$195	\$195	\$195
Accu-Massage	N/A	N/A	6	Hydrocleanse Whirlpool Sys Clnr	\$16.95	\$16.95	\$16.95
Micro Flow	6	4	N/A	GRAB BAR	\$19.95	\$19.95	\$19.95
Micro Massage (each)	\$40	\$40	\$40	Bolt on PB, PC, SN, WH, ALM, BISC	\$125ea..	\$125ea.	\$125
Ultra Flow	N/A	4	6	Standard Grab Bars will be color coordinated to match whirlpool			
Ultra Massage (each)	N/A	\$50	\$50	DRAIN KITS			
Sole Soother Seven (N/A in Metallic)	N/A	N/A	N/A	Lift N Turn PB, PC, SN, WH, ALM, BISC, ORB	\$95	\$95	Incl.
Back Masseur System	N/A	N/A	Incl.	Deluxe Cable Drain PB, PC, SN, WH, ALM, BISC, ORB	\$250	\$250	\$250
Neck Masseur Pillow (incl 2 jets)	N/A	N/A	\$450	Standard drain colored to match whirlpool with ABS rough unless specified otherwise			
Metallic Trim Kit PC, PB, SN, ORB	\$250	\$350	\$400	LIGHTS			
PUMPS				Mood Light	\$195	\$195	\$195
1.25 Hydro Power 1 speed	Incl.	N/A	N/A	Chromatherapy	\$395	\$395	\$395
2.25 Hydro Power 1 speed	N/A	Incl.	N/A	PILLOW			
2.25 Hydro Power 3 speed	\$250	\$250	N/A	Deluxe Oval	\$80	\$80	Incl.
3.25 Hydro Power 3 speed	\$350	N/A	Incl.	STANDARD COLORS			
Alternate Pump Location*	Incl.	Incl.	Incl.	White Bone Almond Biscuit	Incl.	Incl.	Incl.
Custom Pump Location(s)*	\$180	\$180	\$180ea	Design Colors-refer to page 5	\$495	\$495	\$495
HEATER				EZ LEVEL QUIET BASE	\$300	\$300	\$300
Heater Inline/Electric	\$395	\$395	Incl.	Alters deck height. Contact factory.			
Hydro Clean Sanitation System	\$495	\$495	\$495	EZ LEVEL BARS	\$150	\$150	\$150
CONTROLS				Rush order 72 hour manufacturing (contact factory)	\$495	\$495	\$495
Air Switch on/off	Incl.	Incl.	Incl.	Shipping Boxes	\$90	\$90	\$90

Reward 5.5

66" x 42" x 25"

Air Massage Series \$3995
#RA6642

Combination Series \$6050
#RC6642



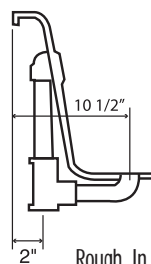
Equipment Legend

- X Optional deluxe in floor air massage jets
 - Turbo Air Jet
 - ⊕ Accu-Massage
 - Micro Flow or Optional Micromassage
 - ⊙ Ultra Flow or Optional Ultra Massage
 - ⊙ Sole Soother
 - ⊕ Neck Masseur Pillow
 - Pump
 - Alt. Pump
 - SSSSS Heated FDA Tubing Zone
- Pump Access (18"x18" required)
*Some pump locations & plumbing may extend beyond perimeter of bath

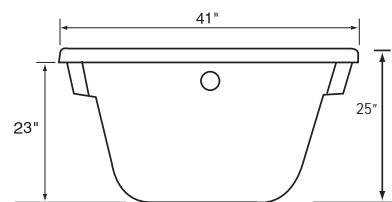
Electrical Specifications

	Air Massage	Combination
Pump Requirement		
115V 15AMP w/GFCI	1	1
115V 20AMP w/GFCI		1
Inline Heater Requirement		
115V 15AMP w/GFCI		1
Gallons to Overflow	72 gal	
Gallons to Operate	40 gal	

NOTE: Specifications are ± 1/4" and features are subject to change without notice
All final measurements should be taken from tub on site



Rough In Plumbing Measurements



Features

	Air Massage Series	Combination Series		Air Massage Series	Combination Series
JETS					
Total number of jets	20	32			
Deluxe air systems	\$995	\$995	AROMATHERAPY FRAGRANCE SYSTEM	\$195	\$195
Accu-Massage	N/A	6	Fragrance Refills	\$16.95	\$16.95
Micro Flow	N/A	N/A	HYDROCLEANSE WHIRLPOOL SYS CLNER	\$19.95	\$19.95
Micro Massage (each)	N/A	N/A	GRAB BAR		
Ultra Flow	N/A	4	Bolt on PB, PC, SN, WH, ALM, BISC	\$125ea.	1-Incl.
Ultra Massage (each)	N/A	\$50	Standard Grab Bars will be color coordinated to match whirlpool		
Sole Soother Seven (N/A in Metallic)	N/A	2	DRAIN KITS		
Back Masseur System	N/A	Incl.	Lift N Turn PB, PC, SN, WH, ALM, BISC, ORB	Incl.	N/A
Neck Masseur Pillow (incl 2 jets)	N/A	\$450	Deluxe Cable Drain PB, PC, SN, WH, ALM, BISC, ORB	\$250	Incl.
Metallic Trim Kit PC, PB, SN, ORB	\$350	\$600	Standard drain colored to match whirlpool with ABS rough unless specified otherwise		
PUMPS					
1.25 AP variable speed	Incl.	Incl.	LIGHTS		
3.25 Hydro Power 3 speed	N/A	Incl.	Mood Light	\$195	Incl.
Pump Location/Alternate*	Incl.	Incl.	Chromatherapy	\$395	\$395
Custom Pump Location(s)*	\$180	\$180ea	PILLOW		
HEATER					
Heater Inline/Electric	N/A	Incl.	Deluxe Oval	Incl.	Incl.
HydroClean Sanitation System	N/A	\$495	STANDARD COLORS		
CONTROLS					
Air Switch on/off water pump	N/A	Incl.	White Bone Almond Biscuit	Incl.	Incl.
Electronic variable speed	Incl.	Incl.	Special Colors-refer to page 5	\$495	\$495
			EZ LEVEL QUIET BASE	Incl.	Incl.
			Rush order 72 hour manufacturing (contact factory)	\$495	\$495
			Shipping Boxes	\$90	\$90